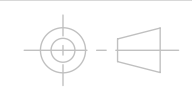


DRAWN	Luuk van den Heuvel	DATE	30-5-2023
REVISION			

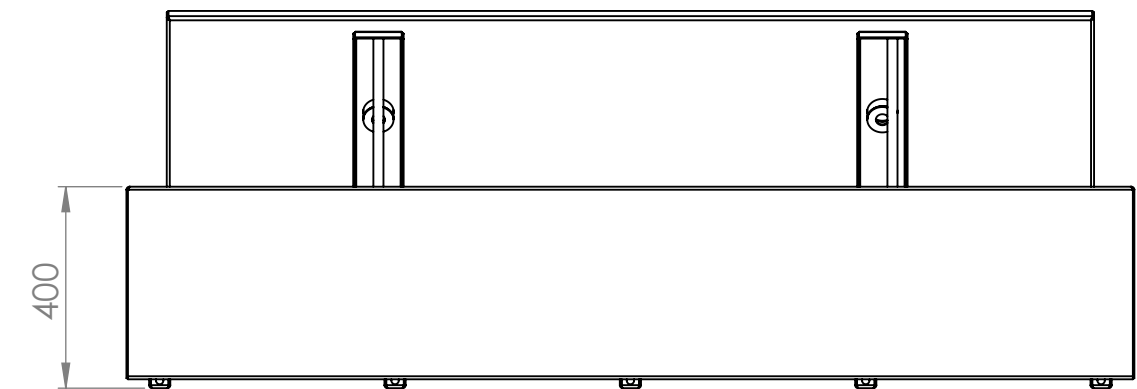
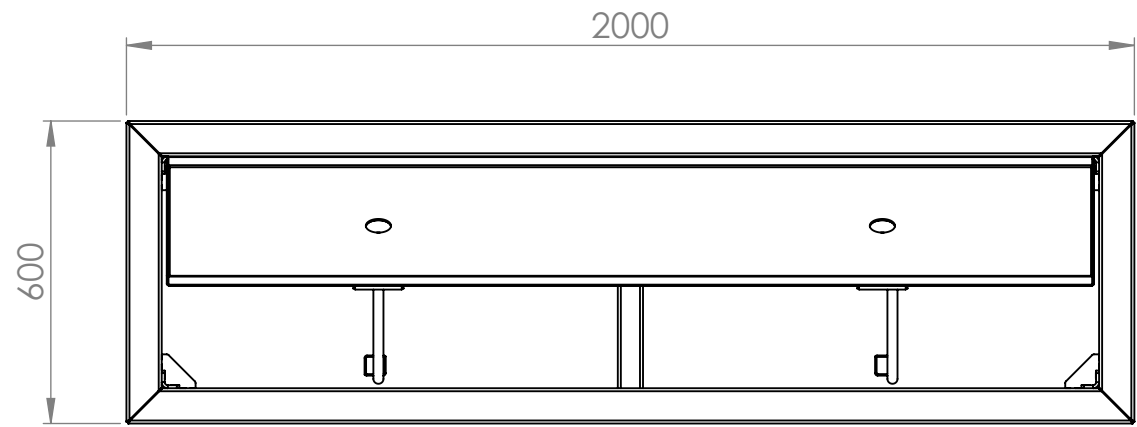


TITLE:	AB5.2.-	
Drawing:	AB5.2.	A3

**ADEZZ**  
DESIGN TO GROW

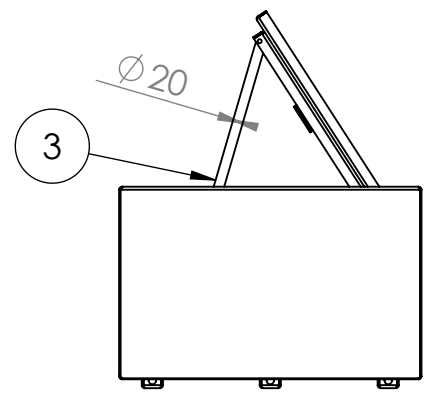
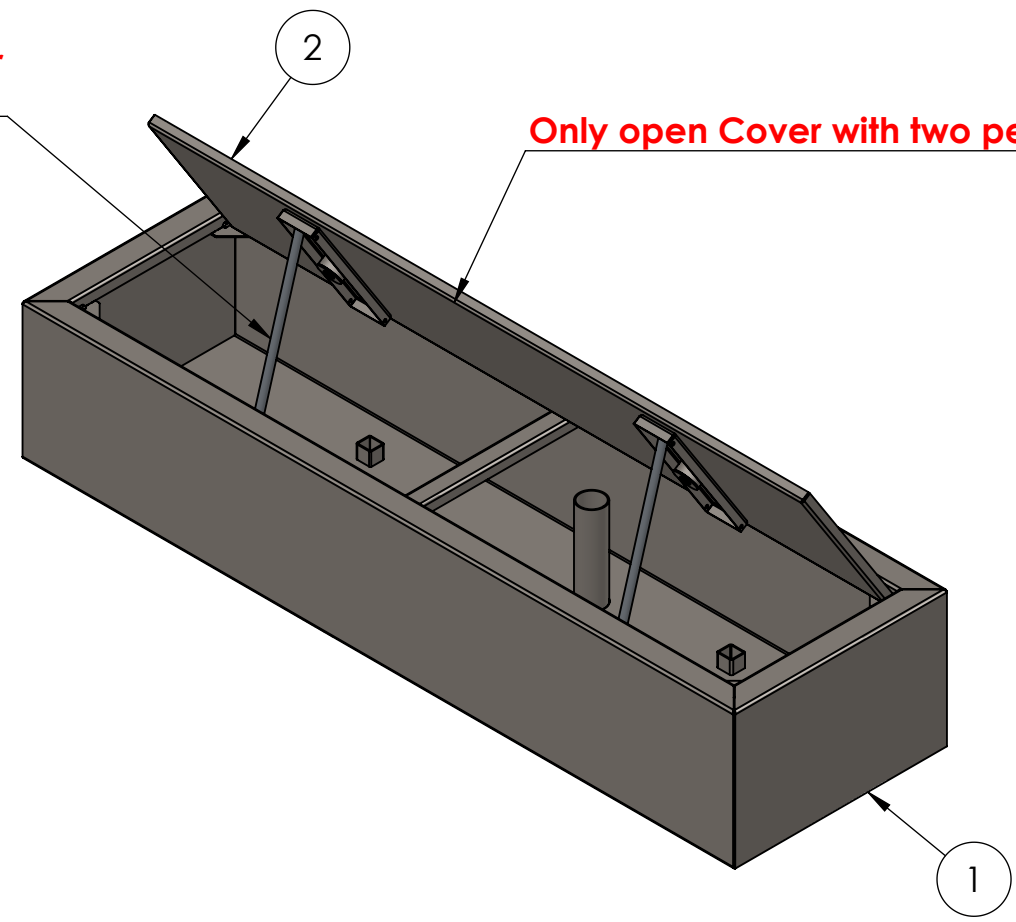
Liessentstraat 4, 5405 AG Uden (NL).  
 † 0031 (0)413 - 27 41 68.  
 e info@adezz.com, i www.adezz.com

Color:	Mass (kg): <b>38.79</b>	SCALE:1:15	SHEET 1 OF 18
--------	-------------------------	------------	---------------



Only use supplied support rods to support the cover  
(store these rods well, outside the water table)

Only open Cover with two people



ITEM NO.	PART NUMBER	THICKNESS	DESCRIPTION	Open/QTY.
1	AB5.2.-Base	3 mm	Aluminum	1
2	AB5.2.-Cover	3 mm	Aluminum	1
3	AB5.2.-Support 2		Adezz	2

DRAWN	Luuk van den Heuvel	DATE	30-5-2023
REVISION			

TITLE:  
AB5.2.-

**ADEZZ**  
DESIGN TO GROW

Liessentstraat 4, 5405 AG Uden (NL).  
t 0031 (0)413 - 27 41 68.  
e info@adezz.com, i www.adezz.com

Drawing:  
AB5.2.

A3